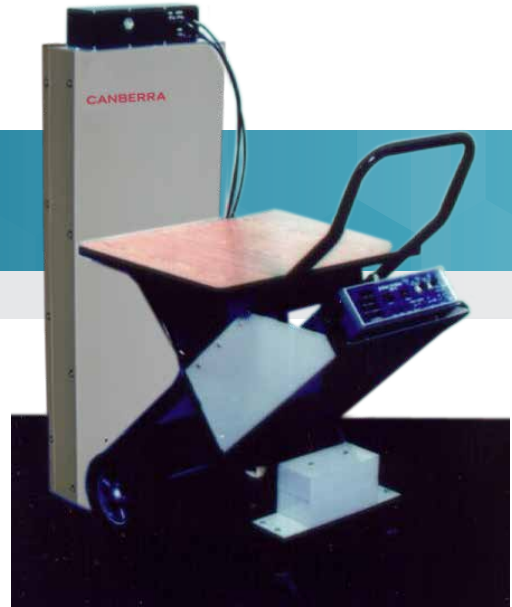




# WM3400

## Passive Neutron Slab Counter



### KEY FEATURES

- Designed for passive neutron go/no-go measurement of plutonium in 200 L (55 gal) drums
- Drum positioner on front of polyethylene body for repeatable positioning of counter
- Fast Amptek electronics
- Six  $^3\text{He}$  detectors
- Transportable

### DESCRIPTION

The WM3400 counter measures the plutonium content in 200 L (55 gal) drums by detecting coincidence neutrons from the spontaneous fission of the even numbered isotopes of plutonium. The counter is designed to make a go/no-go measurement. A JSR-12™ Neutron Coincidence Analyzer is required for coincidence counting, but not included with the WM3400 counter.

The WM3400 unit is a slab of high-density polyethylene attached to a cart. A drum positioning fixture is attached to the front of the polyethylene slab. The drum is rolled up to the counter and the measurement is made. A shelf on the back of the cart can be used to hold the JSR-12 analyzer, and the cart tabletop is available for a portable computer and printer (not included with WM3400 unit).

Six  $^3\text{He}$  tubes are placed in the slab of high-density polyethylene. The tubes are arranged in a single row, wired together and connected to one JAB-01 Amplifier/Discriminator circuit board. The JAB-01 is mounted inside a high voltage junction box. An LED indicator on the outside of the junction box indicates the proper operation of the JAB-01 channel. Electrical connections between the WM3400 counter and the JSR-12 analyzer include +5 V, HV, and a single "ORed" output signal.

## SPECIFICATIONS

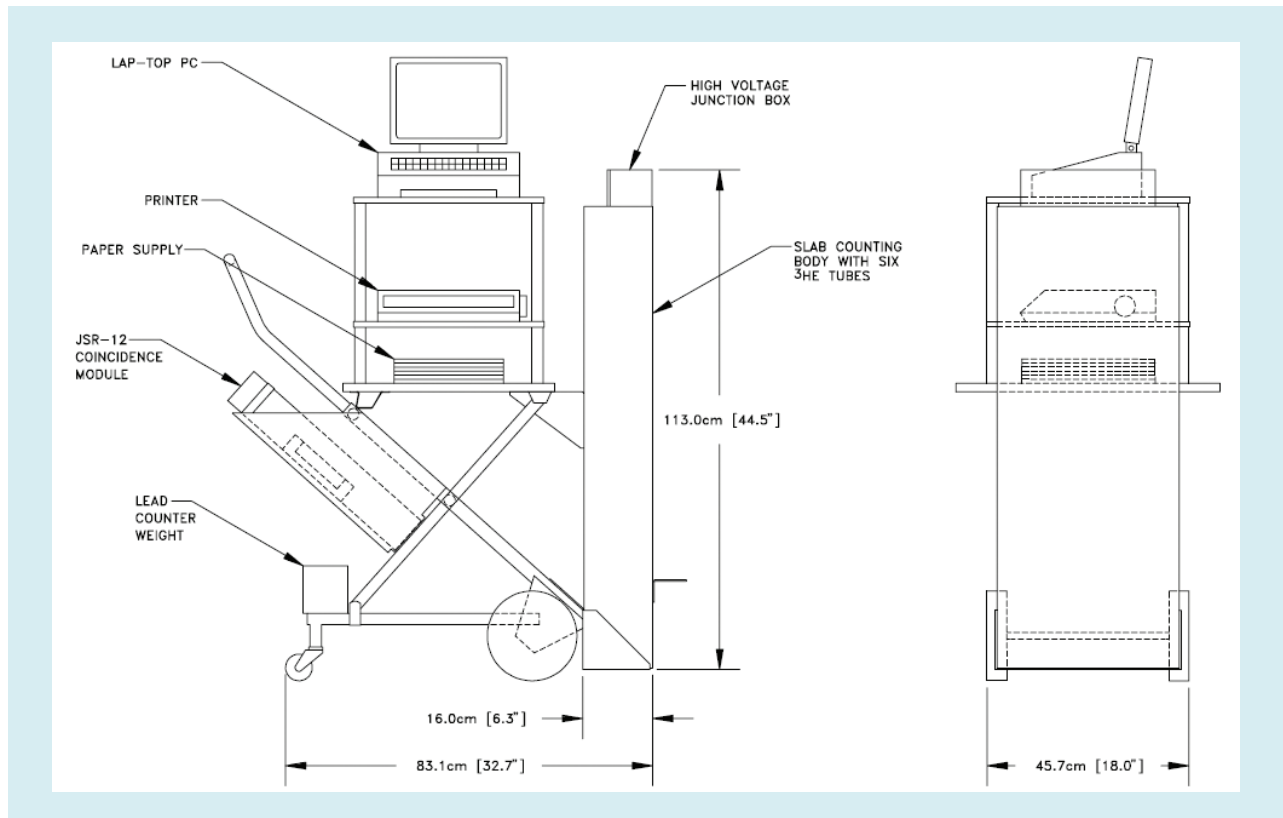
### PERFORMANCE

- HV SETTING – 1680 V.
- GATE SETTING – 64  $\mu$ s.
- DIE-AWAY TIME – 58  $\mu$ s.
- DETECTOR EFFICIENCY – 1.8% for  $^{252}\text{Cf}$  source positioned 30.5 cm (12 in.) from the front face of the counter at the centerline of the active length of the tubes.

### PHYSICAL

- OVERALL SIZE – 113.0 x 45.7 x 83.1 cm (44.5 x 18 x 32.7 in.) H x W x D.
- $^3\text{He}$  TUBES – Six.
- $^3\text{He}$  ACTIVE LENGTH – 91.4 x 2.5 cm (36 x 1 in.) L x Dia.
- CLADDING – Aluminum.

For more details, see diagram below.



Model WM3400 Passive Neutron Slab Counter.



©2017 Mirion Technologies (Canberra), Inc. All rights reserved.

Copyright ©2017 Mirion Technologies, Inc. or its affiliates. All rights reserved. Mirion, the Mirion logo, and other trade names of Mirion products listed herein are registered trademarks or trademarks of Mirion Technologies, Inc. or its affiliates in the United States and other countries. Third party trademarks mentioned are the property of their respective owners.

# CANBERRA