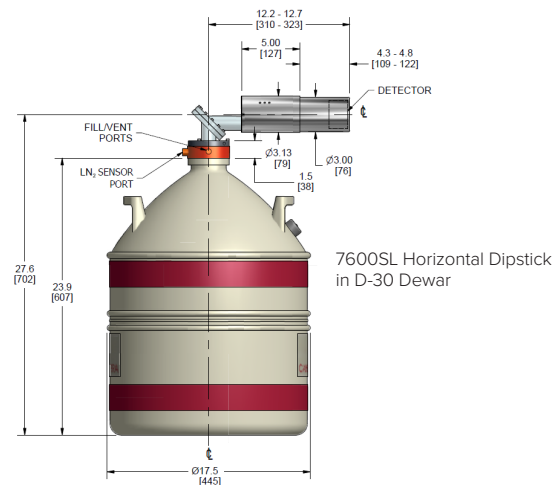
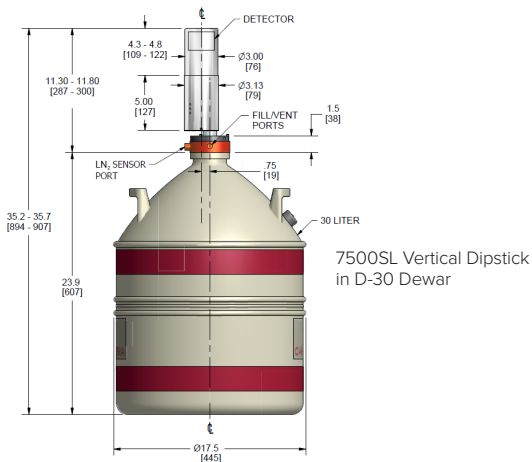




DETECTORS

Slimline™

Cryostats



DESCRIPTION

Slimline cryostats are designed so that the detector and electronics both fit in a cylindrical housing without any protruding flanges, valves, and preamplifier enclosures.

This compact configuration facilitates integration into shields and systems. Maintenance or exchange of the preamplifier is also very simple as it is located underneath the cylindrical cover, outside of the cryostat vacuum.

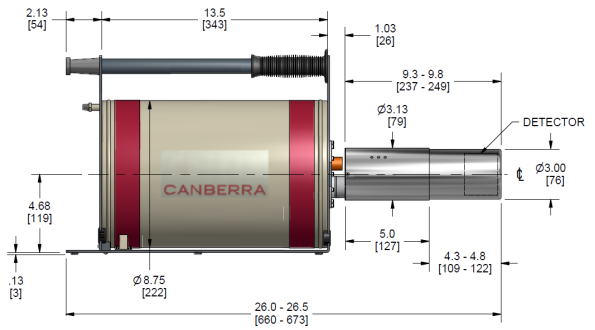
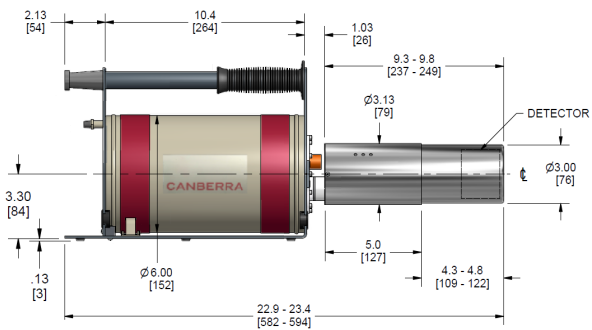
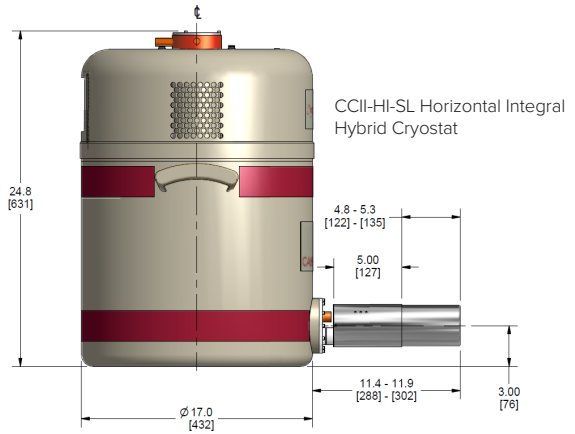
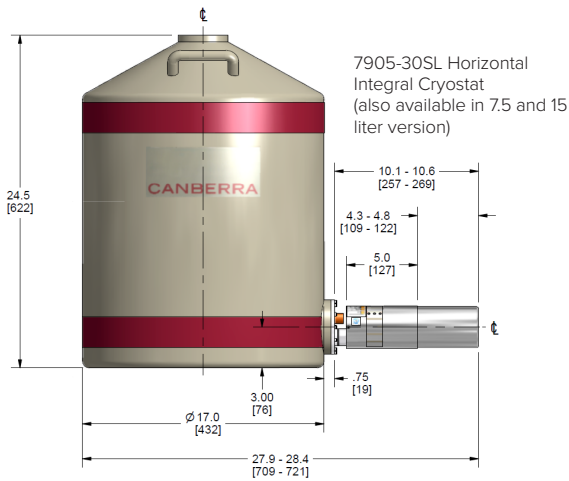
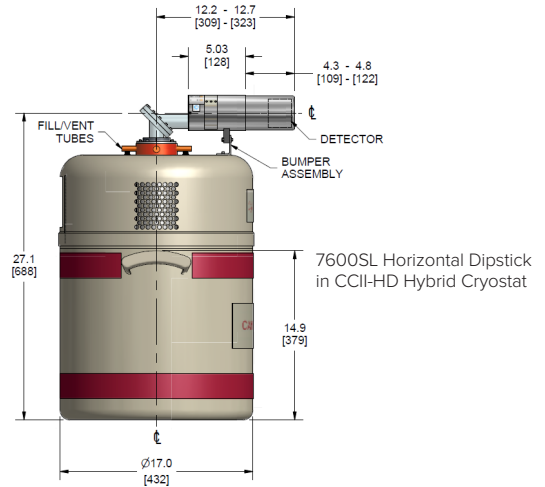
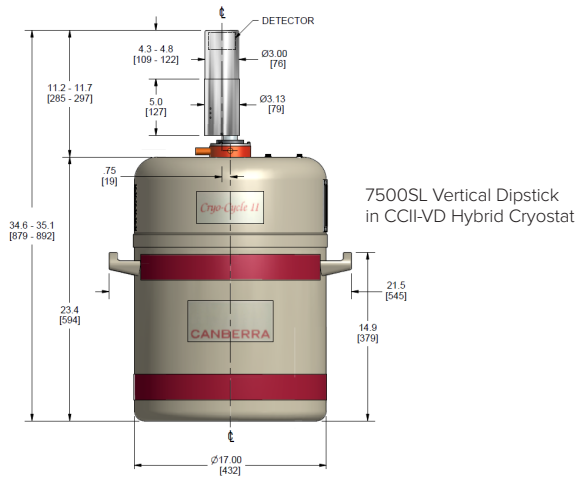
Vertical Slimline Dipstick cryostats can be fitted with a Remote-Detector Chamber (RDC). This RDC option separates the detector chamber from the Dewar and preamplifier and allows the use of a backshield so the lead shield completely surrounds the detector element.

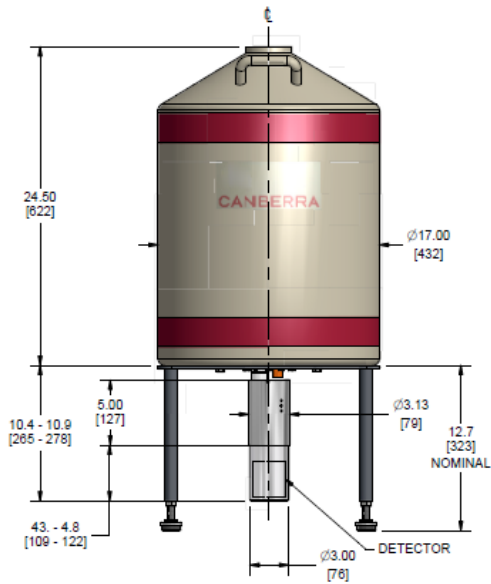
Additionally the offset between the centerline of the RDC element and the cryostat coldfinger removes any direct “line-of-sight” between the detector chamber and the molecular sieves.

This design significantly reduces the radiation background on the detector. Standard lengths for the RDC option are 2, 4, 6, 8 and 10 inches. Custom lengths are available upon request.

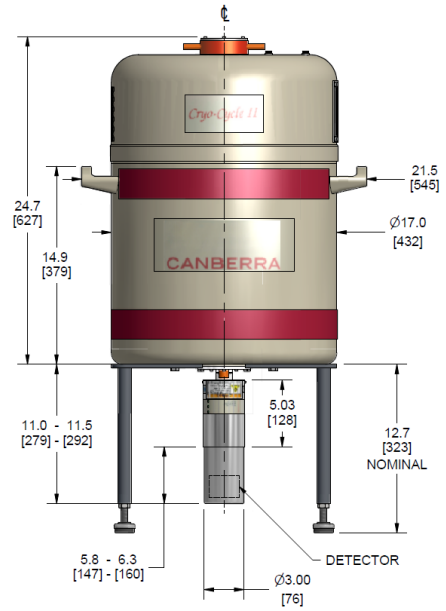
End cap dimensions depend on detector size. The chart below shows the typical efficiency range vs. end-cap diameter. End cap lengths are also greater for larger detectors. Consult the factory if end-cap size is critical in your application.

Rel. Efficiency (%)	Diameter in. (mm)
≤40	3.0 (76)
40-50	3.25 (83)
50-70	3.50 (89)
70-100	3.75 (95)
≥100	4.0 (102)

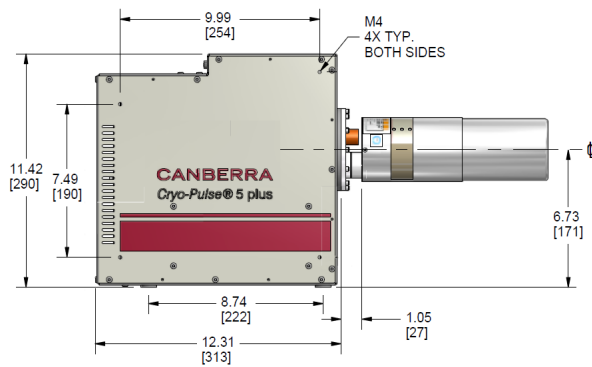




7906-30SL Vertical Integral Cryostat
(also available in 7.5 and 15 liter version)



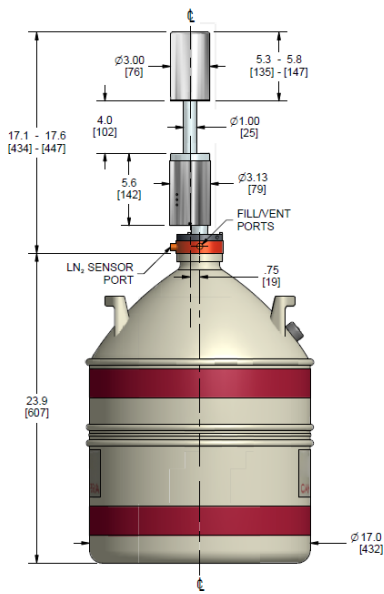
CCII-VI-SL Vertical Integral Hybrid Cryostat



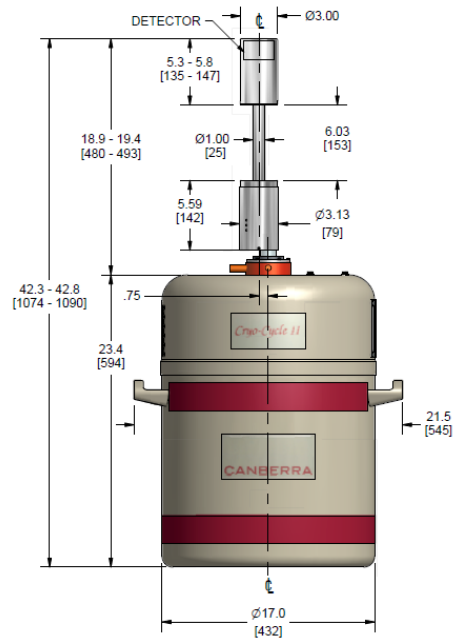
CP5-PLUS-SL Electrically-Cooled Cryostat

RDC OPTION

Model 7500SL Dipstick cryostats can be fitted with an RDC option. Standard lengths for RDC elements are 2, 4, 6, 8 and 10 inches. The outline drawings below show examples of a 4 inch and 6 inch version as these are the most commonly used sizes. The RDC-4 is compatible with our model 747 and 767 lead shields. The RDC-6 goes with our model 777 lead shield.



7500SL-RDC-4 Vertical Dipstick
in D-30 Dewar



7500SL-RDC-6 Vertical Dipstick
Cryostat in CCII-VD Hybrid Cryostat

