



NAIS-3x3™

Nal LED Temperature-Stabilized* Scintillation Detector



KEY FEATURES

- Patented LED temperature stabilization*
- Resolution 7.5% (typical)
- Stable to within $\pm 2\%$ (typical) over the temperature range of $-20\text{ }^{\circ}\text{C}$ to $50\text{ }^{\circ}\text{C}$
- Generic efficiency characterization
- Compatible with Mirion Osprey® digital tube-base MCA only
- Robust cam locking mechanism for increased reliability
- All-metal housing with a magnetic/light shield

DESCRIPTION

Model NAIS-3x3 Sodium Iodide Scintillation Detector is a high-efficiency scintillation detector featuring a 3 x 3 in. NaI(Tl) crystal in an aluminum housing, including a photomultiplier tube, an internal magnetic/light shield, a high-voltage power supply (HVPS), stabilization electronics, preamplifier, and an 8-pin Mirion proprietary connector. NaI(Tl) detectors have a proven record of long term reliability and stability.

The NAIS-3x3 NaI(Tl) detector is LED temperature-stabilized*, eliminating the peak-shift problems inherent in scintillation detectors. This makes the NAIS-3x3 detector suitable for use in non-air-conditioned rooms as well as in field applications. The LED temperature-stabilized probe continuously monitors and adjusts the gain of the detector to ensure consistent performance throughout the entire temperature range. The consistent performance allows users to perform nuclear identification under all typical indoor and outdoor conditions while maintaining the highest confidence in the results obtained by the instrument.

The detector comes with a generic mathematical efficiency characterization known from the Mirion line of high-resolution HPGe detectors. Quantitative measurements can be performed without the use of calibration sources using the Mirion ISOCS™/LabSOCS™ mathematical efficiency calibration software.

The housing is of an all-metal construction and features a robust locking mechanism for increased reliability. The cam lock provides a positive mechanical connection to the tube base instead of relying on the electrical pin friction only.

In combination with the Osprey unit – the Mirion all-in-one HVPS, preamplifier, and digital MCA – the NAIS-3x3 detector becomes part of a high-performance scintillation spectrometry system suited for a wide range of applications – laboratory, radiation monitoring networks, field use, etc.

*US Patent 7,005,646 B1 and 7,049,598 B1

SPECIFICATIONS

PERFORMANCE

- RESOLUTION – 7.5% (typical) at 662 keV (¹³⁷Cs).
- ENERGY RANGE – 30 keV to 3 MeV.
- TYPICAL OPERATING VOLTAGE – Internal setting.
- TEMPERATURE STABILITY – Gain stability within $\pm 2\%$ (typical) over the temperature range of -20 °C to 50 °C.

PHYSICAL

- SIZE – See outline drawing. Note that total length including Osprey digital tube base is 15.6 inches [395 mm].
- WEIGHT – 2.4 kg (5.2 lb).

ENVIRONMENTAL

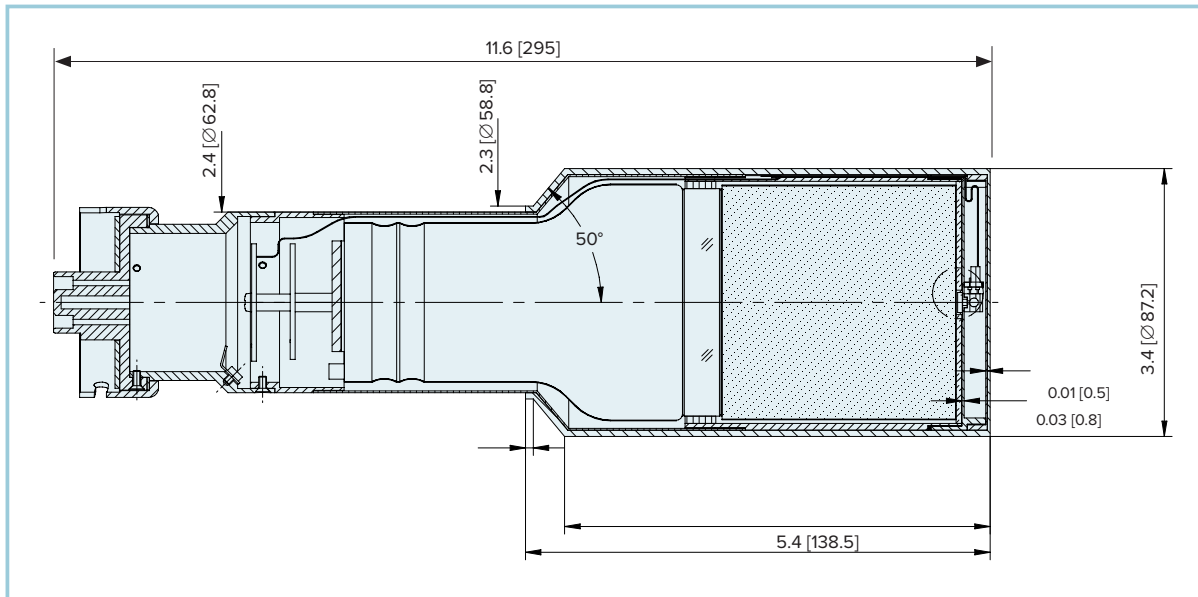
- OPERATING TEMPERATURE – -20 to +50 °C (-4 to 122 °F).
- OPERATING HUMIDITY – 85% non-condensing. Meets the environmental conditions specified by EN 61010, Installation Category I, Pollution Degree 2.

ORDERING INFORMATION

- NAIS-3x3 NAI(TI) Temperature-Stabilized Scintillation Detector.

OPTIONS

- OSPREY-DTB – Digital tube-base MCA with 3 m (10 ft) USB cable, 3 m (10 ft) crossover Ethernet cable, 3 m (10 ft) Ethernet cable, PoE input injector (110/220), 1.2 m (4 ft) MCX-BNC cables, 3 pcs.
- OSPREY-PKG – Digital Tube Base MCA, S504C Genie™ 2000 InSpector™ Basic Spectroscopy Software.
- OSPREY-PKG+ – Digital Tube Base MCA, S504C Genie 2000 InSpector Basic Spectroscopy Software, S501C Gamma Analysis option.
- OSPREY-SDK – OS independent Software Development Kit.



Dimensions in the Outline Drawing are in inches [mm] and are subject to change at the discretion of Mirion.



©2017 Mirion Technologies (Canberra), Inc. All rights reserved.

Copyright ©2017 Mirion Technologies, Inc. or its affiliates. All rights reserved. Mirion, the Mirion logo, and other trade names of Mirion products listed herein are registered trademarks or trademarks of Mirion Technologies, Inc. or its affiliates in the United States and other countries. Third party trademarks mentioned are the property of their respective owners.

CANBERRA