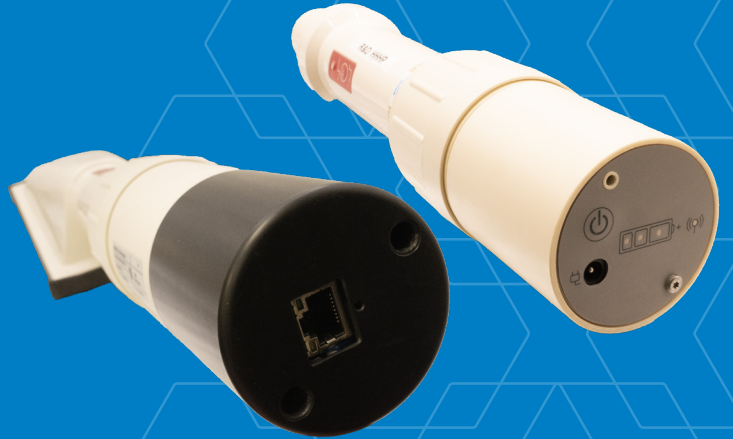




PORTABLE RADIATION MEASUREMENT

# CSP-COM™

## Communication Module for CSP™ Probes



**The CSP-COM module strengthens remote monitoring through seamless integration with Mirion CSP probes, offering Bluetooth and Ethernet connectivity for flexible, real-time data transmission without the need for human intervention. Its power options ensure reliable, continuous operation in even the most challenging environments.**

The CSP-COM module is ideal for remote monitoring applications, monitoring radiation in hot zones and centralizing data acquisition. Versatile and easy to set up, the CSP-COM module can be plugged into any Mirion CSP probe. It enhances communication features of the CSP probe by increasing the communication distance between the probe and the terminal.

CSP-COM module communicates with the CSP probe through either Bluetooth or Ethernet. It handles all communication tasks - transmission, reception, data - and even serves as the probe power supply.

CSP-COM Bluetooth can also be operated through its power connector and main adapter. When plugged into the CSP-COM module, the CSP probe can be placed in any location where an Ethernet network connection is available.

### WIRELESS CSP-COM WITH BLUETOOTH

The Bluetooth version is ideal for monitoring areas where no cabling is available, typically hot zones, outdoors, or for mobile applications.

The CSP-COM module is very easy and fast to install in isolated areas.

### FEATURES

- ✓ Enhances communication capabilities of CSP probes
- ✓ Compatible with all CSP (Canberra™ Smart Probes)
- ✓ Allows remote communication between probes and monitor via wired or wireless network
- ✓ Allows multiple probes to be connected to one host
- ✓ Integrated rechargeable battery that lasts up to 25 hours on one charge (CSP-COM-Bluetooth version)

CSP-COM Bluetooth is designed for short distance communication 20 m (65 ft).

It is ideal for use in place of a cable, thus eliminating cable length constraints and connector issues in inaccessible areas.

Bluetooth allows for the multiplexing of up to seven probes. Plus, up to a 25-hour battery life makes it ideal for daily use.

It is a perfect match for a wireless-enabled survey meter such as the Colibri® device.

The CSP-COM modules are part of the Canberra Smart Probe (CSP) family. Building on a legacy of exceptional performance, CSP probes offer versatile plug and play capabilities and fast readiness for field operations.

Learn more



# CSP-COM™ - COMMUNICATION MODULES FOR CSP PROBES

## WIRED CSP-COM WITH ETHERNET

The Wired module can be used in sites that are already cabled with Ethernet.

The CSP-COM Ethernet V2 PoE (Power on Ethernet) allows for the connection of any CSP probe into an Ethernet network, assigning an address to each probe. The PoE capability of the device enables it to receive power directly through the Ethernet cable, provided that the network supports PoE. CSP-COM Ethernet V2 is compatible with any third-party Ethernet equipment.

## TERMINALS FOR CSP-COM PC & TABLET PC WITH CSP-PL BASED SOFTWARE

Any PC operating Windows with CSP-PL-based software can interface with any CSP-COM module. The software can monitor several probes simultaneously coming from different CSP-COM modules regardless of transmission standard, including direct serial link connection.

## COLIBRI METER

The Colibri survey meter is able to interface directly with CSP-COM Bluetooth modules, handling several probes at a time and communicating wirelessly with CSP probes.



	Frequency	Communication Distance (Direct line of sight)	Emitting Power	Simultaneous Connections	Battery Life
<b>Wireless: Bluetooth</b>	2.4 GHz	>= 10m	2.5 mW	up to 7	25 h
<b>Wired: Ethernet</b>	NA	100m	NA	Network dependant	NA

### CSP-COM Modules Features Summary

## EASY TO USE

The CSP-COM module is easy to adapt: it is plugged directly into any CSP probe with an adaptation ring as shown in Figure 1. Its lightweight and small volume allows the usage of the probe either in mobile or fixed applications. A dedicated aluminium ring is available with STTC probe to adapt to CSP-COM modules.

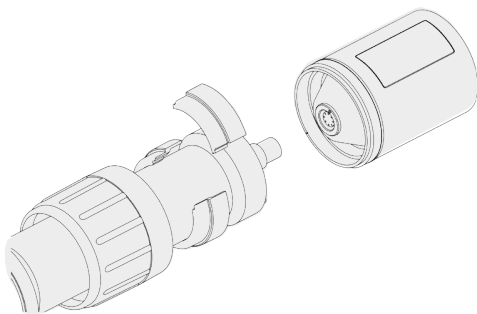


Figure 1: CSP-COM assembly on CSP probe.

The Bluetooth module comes with only one power on/off button. Four LEDs indicate the battery level in three colors (green, orange and red) and the data transfer of the probe (Figure 2).

The wired module includes a RJ45 connector for network link (figure 3).

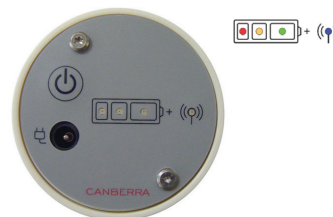


Figure 2: CSP-COM Bluetooth back panel with LED indicators.

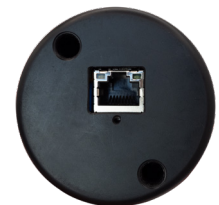


Figure 3: CSP-COM Ethernet V2 back panel with RJ-45 connector and reset hole access.

# CSP-COM™ - COMMUNICATION MODULES FOR CSP PROBES

## INTEGRATED BATTERY WITH CSP-COM BLUETOOTH

The CSP-COM Bluetooth module features an integrated Li-ion rechargeable battery which is easy to recharge with any compatible charger (provided with the CSP-COM unit). The Li-ion battery is lightweight and does not have any hysteresis effect – making it able to be constantly powered and ready for use at any time.

## SPECIFICATIONS

### ELECTRICAL

#### CSP-COM Bluetooth:

- Power: Rechargeable Li-ion battery – charger included
- Charging time: 2 hours
- Battery life: 300 cycles of 100% capacity minimum

#### CSP-COM Ethernet:

- Via PoE router or PoE injector through RJ45 connector (not included)
- Power consumption: 15 W (350 mA with 44 V)

### MECHANICAL

#### CSP-COM Bluetooth:

- Housing: ABS beige
- Dimensions: 85 x 62 mm (3.4 x 2.5 in.) (Length without securing ring x diameter)
- Weight: 200 g (7.1 oz) without cable

#### CSP-COM Ethernet:

- Housing: ABS beige and dark grey
- Dimensions: 151 x 62 mm (3.4 x 2.5 in.) (Length without securing ring x diameter)
- Weight: 300 g (10.6 oz) without cable

## POWER OVER ETHERNET WITH CSP-COM ETHERNET V2

The CSP-COM Ethernet V2 is exclusively powered via a compatible PoE router, ensuring that only one cable is used for both communication and power. It simplifies integration into third-party system and helps enable global power reset when necessary.

### ENVIRONMENTAL

- Relative humidity: 40% to 95% at 35 °C
- Ingress protection: IP40
- Cleaning: Housing easy to decontaminate

#### CSP-COM Bluetooth:

- Operating temperature limit: -10 °C to +50 °C (14 °F to 122 °F)
- Battery charging temperature: -10°C to +30°C (14°F to 86 °F)
- Storage temperature: -25 °C to +65 °C (-13 °F to 149 °F)

#### CSP-COM Ethernet:

- Operating temperature limit: -20 °C to +65 °C (-4 °F to 149 °F)
- Storage temperature: -20 °C to +65 °C (-4 °F to 149 °F)

### NORMALIZATION

- CE: Meets CE requirements
- EMC: Conforms
- EN61326 (Europe)
- FCC 15-247 (North America)

### ORDERING INFORMATION

- CSP-COM Bluetooth: NOM006313 (EM82481)
- CSP-COM Ethernet V2: NOM007754
- CSP-PL NOM006406 (EM89696)



**MIRION**  
TECHNOLOGIES

Copyright © 2024 Mirion Technologies, Inc. or its affiliates. All rights reserved. Mirion, the Mirion logo, and other trade names of Mirion products listed herein are registered trademarks or trademarks of Mirion Technologies, Inc. or its affiliates in the United States and other countries. Third party trademarks mentioned are the property of their respective owners.