



RADIATION-TOLERANT CAMERA

Hyperion[®] Compact

Gen II Camera



The Hyperion Compact Gen II Camera follows many years of extensive Research and Development and considerable investment in new technologies. Featuring an all-new radiation-tolerant zoom lens and optics with integrated pan and tilt, this new version offers all the benefits of the earlier generation Hyperion camera but in a lighter and more compact outstation. The Hyperion camera has been independently tested to 1 MGy with Cobalt-60 sources.

This camera is available in both monochrome and color variants without a pan/tilt unit for even greater deployment flexibility on Servo-Manipulators, custom deployment mechanisms, and tooling applications.



FEATURES

- ✓ Digital performance, high radiation tolerance
- ✓ Low cost of ownership, driven by low maintenance and long life
- ✓ 100 Mrad/1 MGy total dose (gamma)
- ✓ High performance solid-state 1x megapixel sensor
- ✓ System-on-Chip flexibility
- ✓ Superior picture geometry
- ✓ In air or underwater operation
- ✓ Color or Monochrome options
- ✓ Pan/Tilt-free version available

HYPERION COMPACT GEN II CAMERA

SPECIFICATIONS AND PERFORMANCE

- Radiation tolerance: 1 MGy (100 M Rad) TID, Cobalt-60
- Radiation dose rate: 1 KGy/hour (100 krads/hour)
- Resolution:
Digital mode: 960 x 540 pixels
CCIR mode: 768 x 576 pixels
RS170A mode: 640 x 480 pixels
- Video output:
PAL/NTSC analogue out
960 x 540/800 x 600/720 x 480 JPG out via Ethernet Color or Monochrome (specified at time of order)
- Housing: 300 Series Stainless steel
- Sealing: IP68 (60 m water)
- Pan and tilt range: +/- 158 degrees
- Pan and tilt speed (Max.):
>= 9 degrees/second (Pan)
>= 7 degrees/second (Tilt)
- Iris: Motorized manual/auto
- Focus: Manual (1.5 m to infinity)
- Operating Temperature:
0-62.5 °C (without lights)
0-55 °C (with lights)
5% - 95% RH (non-condensing)
0.9-1.1 ATM (air)
- Zoom: Non-browning clear glass 17.5-105 mm Motorized manual
- Zoom Range: 6x optical
- Angle of view (in air):
NTSC Wide – 28.2° horizontal, 21.2° vertical
NTSC Narrow – 4.6° horizontal, 3.5° vertical
PAL Wide – 33.6° horizontal, 25.5° vertical
PAL Narrow – 5.6° horizontal, 4.2° vertical
Digital (960 x 540) Wide – 39.7° horizontal, 22.2° vertical
Digital (960 x 540) Narrow – 6.9° horizontal, 3.9° vertical
- Weight:
7.5 kg (Pan/Tilt with Lights)
3.5 kg (Fixed Camera without Lights)
- Cable: Compatible with existing radiation tolerant cables used with Mirion R981™ camera
- Maximum cable length:
100 m with R980CAB006
300 m with R980CAB013
- Camera Control: Unit multi-camera sub-rack available for interfacing into RS-485 or IP-based control system

PART NUMBERS

NO LAMPS WITH PAN & TILT

- RD981CPA03A (MONOCHROME)
- RDC981CPA03A (COLOR)

LAMPS WITH PAN & TILT

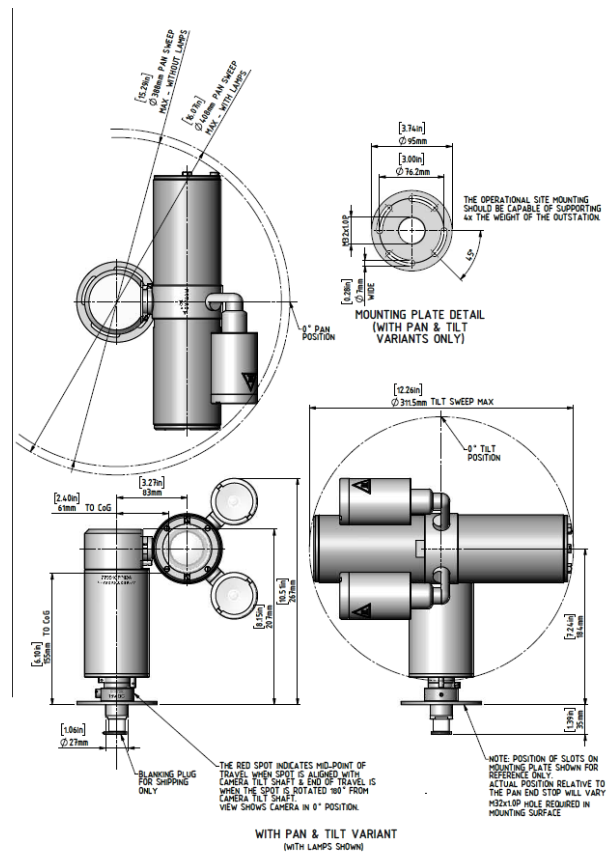
- RD981CPB03A (MONOCHROME)
- RDC981CPB03A (COLOR)

NO LAMPS FIXED

- RD981CFA03A (MONOCHROME)
- RDC981CFA03A (COLOR)

LAMPS FIXED

- RD981CFB03A (MONOCHROME)
- RDC981CFB03A (COLOR)



Copyright ©2023 Mirion Technologies, Inc. or its affiliates. All rights reserved. Mirion, the Mirion logo, and other trade names of Mirion products listed herein are registered trademarks or trademarks of Mirion Technologies, Inc. or its affiliates in the United States and other countries. Third party trademarks mentioned are the property of their respective owners.

Specifications may vary according to system configuration. We reserve the right to modify or amend the information herein without prior warning. Please contact your Mirion representative for further information.

Mirion Technologies (IST) Ltd and Mirion Technologies (Imaging), LLC are ISO 9001:2015 certified companies (certificates available on request or at www.mirion.com).

Please note that the products and accessories described in this data sheet may be subject to UK export control or US re-export control. Please check with your authorized representative when enquiring about this product.